

WALLACH®

Wallach works for you.

www.WallachSurgical.com

Wallach works for you.



Wallach Surgical offers industry-leading medical systems and instruments, including colposcopes, cryosurgical and electrosurgical units, digital and Doppler imaging devices, and a broad range of instruments and disposables that keep practices and hospitals running safely and smoothly.

Physicians have relied on our diverse product portfolio for more than 30 years. Moving forward, we are committed to expanding into new technologies, including our acquisition of Summit Doppler and our ongoing research and development efforts.



www.vegagroup.com.tr

Wallach Surgical Devices
75 Corporate Drive
Trumbull, CT 06611 U.S.A.

1.800.243.2463
www.wallachsurgical.com

© Wallach Surgical Devices 82394 Rev. 8/13

 (+90 216) **444**  **8342**  (+90) 212 310 69 36

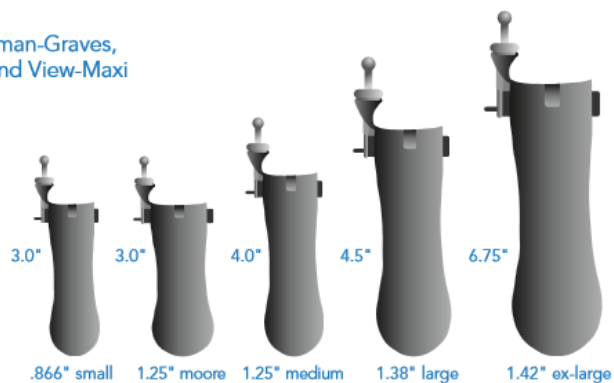


A Full Line of Coated and Unc oated Specula

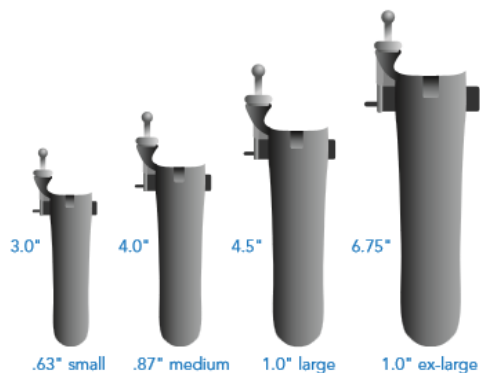


WALLACH OFFERS A COMPLETE SELECTION OF COATED AND UNCOATED SPECULA, INCLUDING GRAVES, PEDERSON, AND VIEW-MORE, AS WELL AS ENDOCERVICAL SPECULA AND RETRACTORS

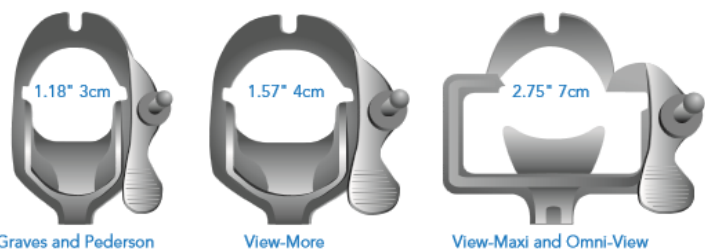
Graves, Weisman-Graves, View-More, and View-Maxi



Pederson and View-Maxi



Yoke Dimensions



COATED SPECULA

Graves Specula

Standard Graves speculum features a guide for disposable smoke tubes for easy cleaning of the speculum. Nonconductive coating for added safety.

ITEM NUMBER	DESCRIPTION
903017	LLETZ Graves Speculum – Medium w/DSE Guide
903018	LLETZ Graves Speculum – Large w/DSE Guide

Pederson Specula

Widely used by physicians, this speculum's narrow blade design makes it more comfortable for those with a narrow vaginal canal. DSE tubing guide included.

903019	LLETZ Pederson Speculum – Small w/DSE Guide
903020	LLETZ Pederson Speculum – Medium w/DSE Guide
903021	LLETZ Pederson Speculum – Large w/DSE Guide

View-More Specula

With 25 percent more viewing area, it allows easier access and improved visibility. A wide opening accommodates lateral vaginal wall retractors. DSE tubing guide included.

903022	LLETZ View-More Speculum – Medium w/DSE Guide
903023	LLETZ View-More Speculum – Large w/DSE Guide

View-Maxi Specula

This speculum has an extra-wide opening with a rectangular yoke for easier access of instruments and improved visibility. DSE tubing guide included.

903024	LLETZ View-Maxi Pederson – Medium w/DSE Guide
903025	LLETZ View-Maxi Pederson – Large w/DSE Guide
903030	LLETZ View-Maxi Graves – Medium w/DSE Guide

Omni 4-Blade Specula (4-Blade Style for Electrosurgery)

Combines speculum with lateral wall retractor. Ideal for patients with collapsed vaginal walls to enhance visibility, and for large and multiparous patients. DSE tubing guide included.

903026	LLETZ Omni Speculum – Medium 4-Blade w/DSE Guide
903027	LLETZ Omni Speculum – Large 4-Blade w/DSE Guide



Coated Specula and GYN Instruments



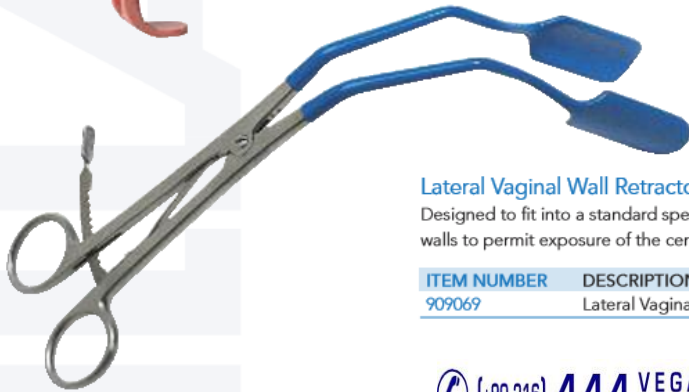
PRECISION COATED INSTRUMENTS HELP TO ENSURE SAFE AND EFFECTIVE LEEP PROCEDURES



Ultimate Reusable Speculum

Nonconductive for use during electrosurgery, this lightweight, smooth, reusable speculum is made from a specialized polymer for ultimate patient comfort. Fully autoclavable and easily sterilized.

ITEM NUMBER	DESCRIPTION
909100	Ultimate Reusable Speculum



Lateral Vaginal Wall Retractor

Designed to fit into a standard speculum and retract collapsed vaginal walls to permit exposure of the cervix.

ITEM NUMBER	DESCRIPTION
909069	Lateral Vaginal Wall Retractor

(+90 216) 444 VEGA 8342 (+90) 212 310 69 36



LEEP Endocervical Speculum

This endocervical speculum provides access to the cervical canal or the os.

ITEM NUMBER	DESCRIPTION
909168	LEEP Endocervical Speculum – Regular (tip size: 6mm)
909169	LEEP Endocervical Speculum – Medium (tip size: 5mm)

Gyn Hook

Our most popular hook. Sharp and strong for maximum grip.

ITEM NUMBER	DESCRIPTION
907020	Gyn Hook

LEEP Hook Straight

Small hook designed for stabilization of tissue during excision.

909160	LEEP Hook Straight
909170	LEEP Hook Angled 9.5° Left
909172	LEEP Hook Angled 9.5° Right

LEEP Two Prong Hook (Length: 26cm)

Twin prongs to allow enhanced grasping and manipulation ability of the cervix while spacing ensures unrestricted electrode access to the operative site.

909162	LEEP Two Prong Hook
--------	---------------------

LEEP Three Prong Hook (Length: 26cm)

Designed for optimal manipulation and stabilization of the cervix while allowing maximum electrode access.

909164	LEEP Three Prong Hook
--------	-----------------------

LEEP Iris Hook (Length: 25cm)

Small hook designed to stabilize tissue during excision.

909166	LEEP Iris Hook
--------	----------------



LEEP Champion Forceps (Length: 22cm)

Designed as an angled forceps for better visualization of tissue being removed from the operative site.

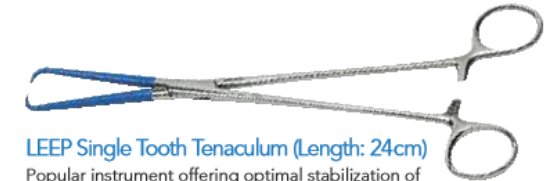
ITEM NUMBER	DESCRIPTION
909161	LEEP Champion Forceps



LEEP Ring Forceps (Length: 22cm)

Larger forceps designed to remove tissue sample excised during the LEEP procedure.

909163	LEEP Ring Forceps
--------	-------------------



LEEP Single Tooth Tenaculum (Length: 24cm)

Popular instrument offering optimal stabilization of the surgical site.

909167	LEEP Single Tooth Tenaculum
--------	-----------------------------



LEEP Tissue Forceps (Length: 21cm)

Simple forceps perfect for grasping and removing tissue. Coated surface offers safety and convenience.

909165	LEEP Tissue Forceps
--------	---------------------

Uncoated Precision German Stainless Steel Instruments

HIGH QUALITY GERMAN ENGINEERING FROM A NAME YOU CAN TRUST



Contoured and shaped to fit into the yoke of a standard speculum, the retractor expands beyond the width of the speculum blades and retracts the side walls of the vaginal vault to achieve an unobstructed view of the cervical anatomy.

ITEM NUMBER	DESCRIPTION
907043	Gyn Hook Lateral Retractor View-More Opening



Standard ratchet handle. Choose from a standard tip for use on multiparous women or a narrow tip particularly useful in nulliparous or small women, post menopausal patients, or those with a stenotic os.

ITEM NUMBER	DESCRIPTION
907010	Kogan Endocervical Speculum (5mm tip)
907015	Kogan Endocervical Speculum – Narrow (3mm tip)



UNCOATED SPECULA

Graves Specula

Traditional design with slightly wider blades.

ITEM NUMBER	DESCRIPTION
903001	Graves Speculum – Small
903002	Graves Speculum – Medium
903003	Graves Speculum – Large
903004	Graves Speculum – Ex-Large

Moore-Graves Speculum

Unique speculum featuring short blades with the same width as a medium Graves.

903005	Moore-Graves Speculum
--------	-----------------------

Pederson Specula

Thinner blade design.

903006	Pederson Speculum – Ex-Small
903007	Pederson Speculum – Ex-Narrow
903008	Pederson Speculum – Small
903009	Pederson Speculum – Medium
903010	Pederson Speculum – Large
903011	Pederson Speculum – Ex-Large

Weisman-Graves Specula

Open-sided speculum with one-sided hinge offers easier access for instruments.

903012	Weisman-Graves Speculum – Right Medium
903013	Weisman-Graves Speculum – Left Medium

View-More Specula

Provides more viewing room at the yoke and allows for easier access for instruments.

903014	View-More Speculum – Medium
903015	View-More Speculum – Large

View-Maxi Speculum

Extra-wide rectangular yoke for enhanced viewing and easier access.

903016	View-Maxi Graves Speculum – Medium
--------	------------------------------------

Omni Specula

Offers narrower blades combined with lateral blades that lock in place for better visualization.

903028	Omni Speculum – Medium 4 Blade
903029	Omni Speculum – Large 4 Blade

