



Eva

HF-525

High Frequency Inverter Radiography X-ray System



Manufacturer
COMED Medical Systems Co., Ltd.
18, Haldong-ro, Chosok-eup, Gwangju-si, Gyeonggi-do, Korea
Tel: 82-31-764-7321-3 Fax: 82-31-764-7324

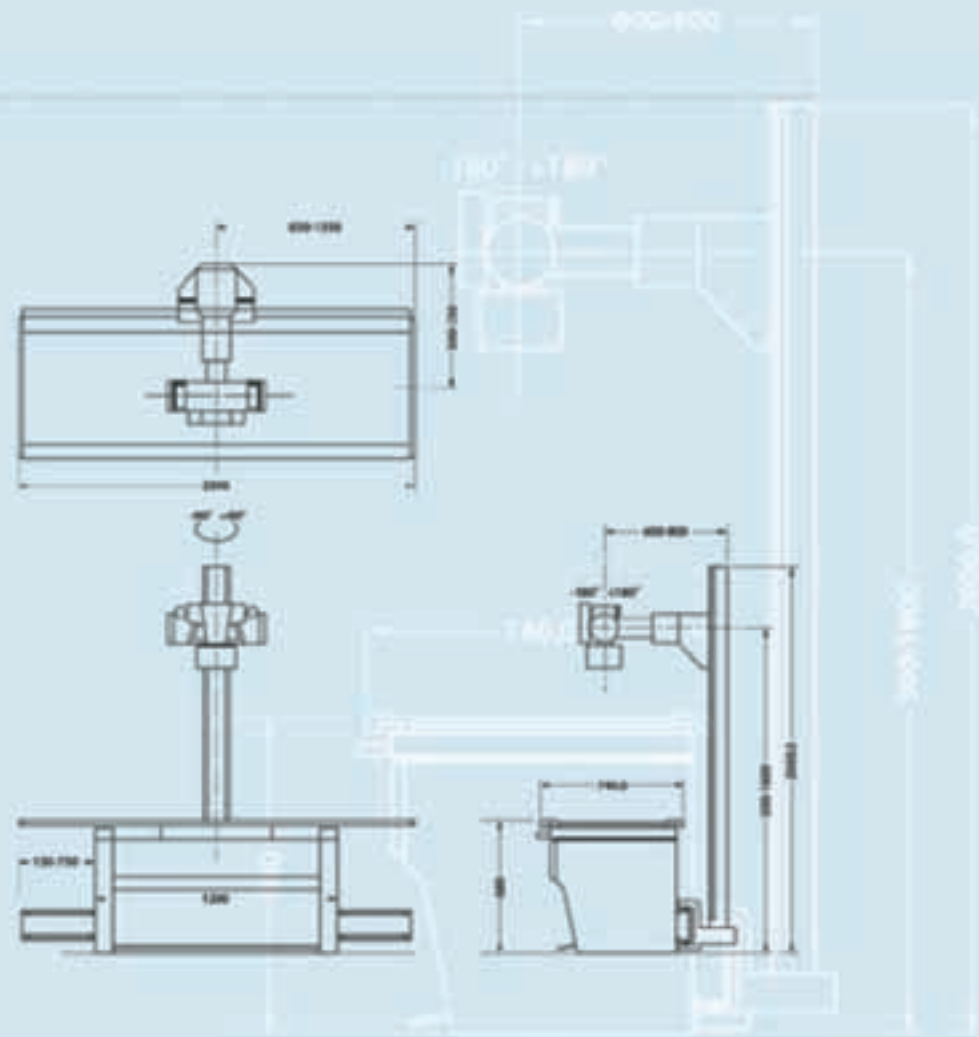
Distributor



www.comed.co.kr Creative & Innovative Medical System

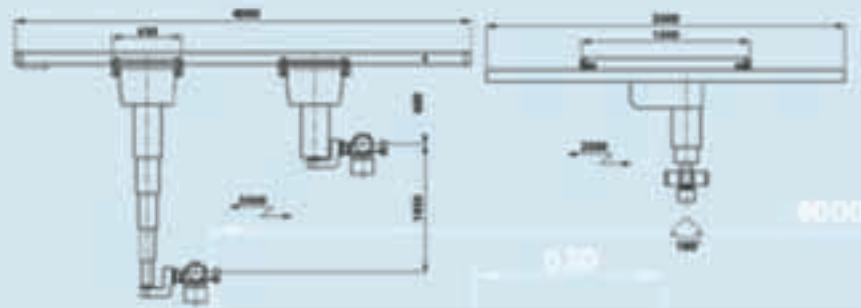
Dimensions

• EVA-HF 525

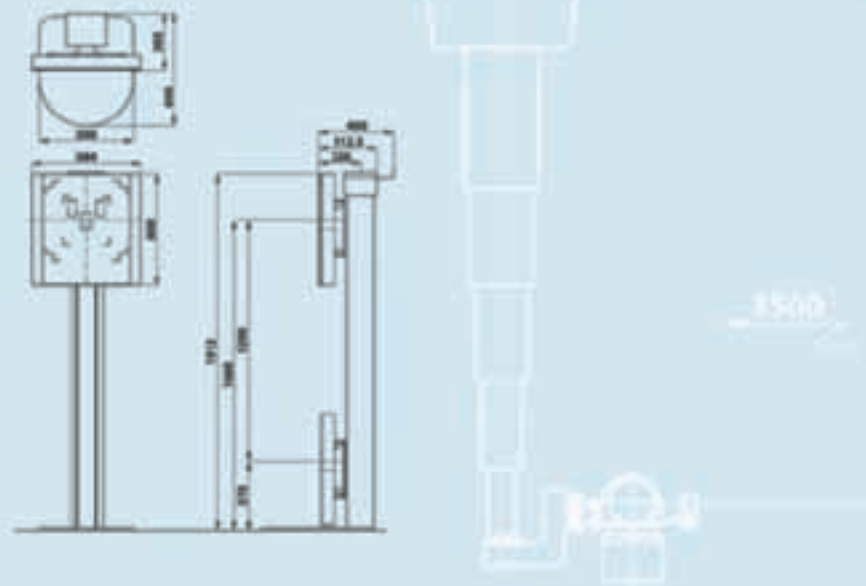


Dimensions

• Ceiling Suspended (KM-CS)



• Well Bucky Stand (KM-WB)



Simple Design & User Convenience

New Operation Console

- New concept of high performance operation console system. More consideration for use.



Multiple Microprocessor

- Controlled by multiple microprocessors assuring consistent and repeated X-ray operation. service mode is used to calibrate the generator.

Display panel with LCD

- LCD has twice wide windows ■ it is easy to use for users

Radiography condition is basically set up

- Convenient control system with APR option. Programmed into the best one, so it is possible to radiate with simple operation. It can be changed by users.



Possible long distance control

- Connected X-ray control system and display panel with cable.

Versatile Functioned System

Ceiling Suspended

This is a rigid, heavy work loads and stable ceiling tube support system. This has been designed to provide effortless positioning over an extension area for all types of general radiography and procedures.



Wall Bucky

The Bucky stand is designed for general purpose radiographic exposures for chest, thorax spinal and skull of standing patient. The unit can be wall mounted or freestanding near to a bucky table.

PSU

It is possible that radiate a x-ray with general sources of electricity, and can be used as a MOBILE CARE SYSTEM (option).

